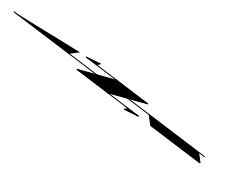
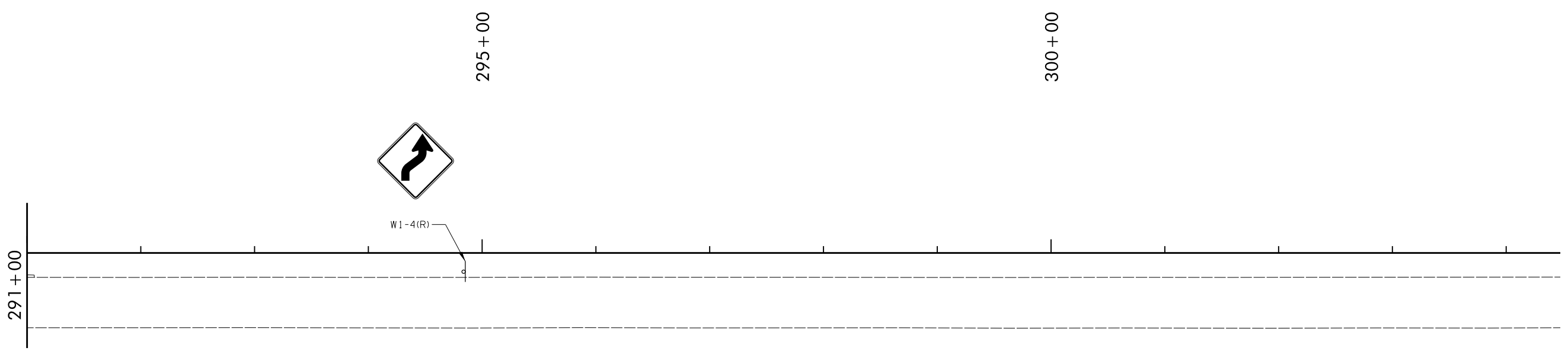
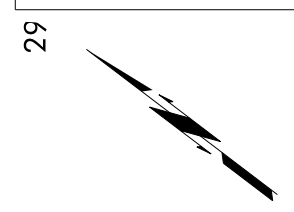
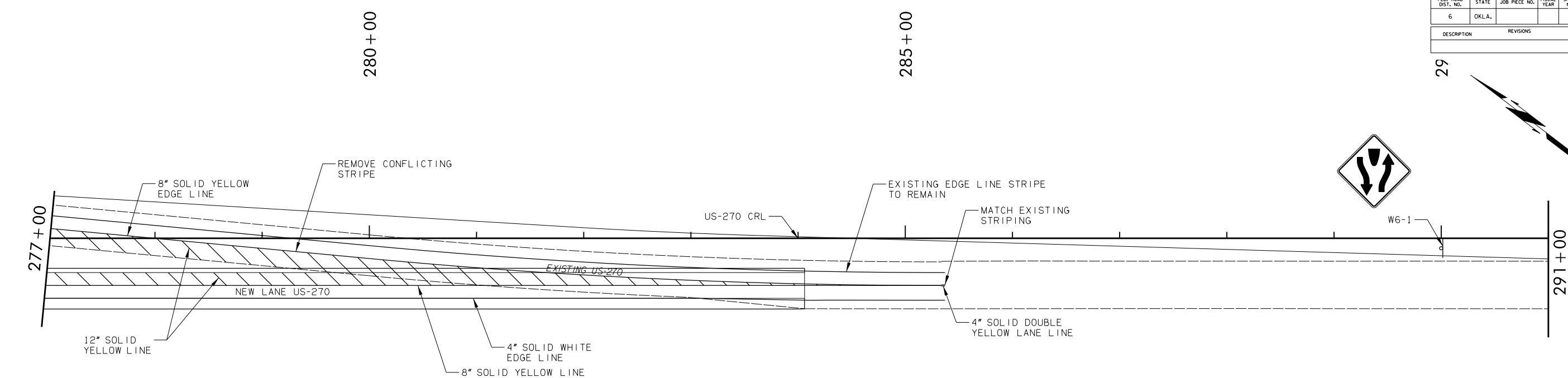


FED. ROAD DIST. NO.	STATE	JOB PIECE NO.	FISCAL YEAR	SHEET NO.	TOTAL SHEETS
6	OKLA.				

DESCRIPTION	REVISIONS	DATE



8/2/2017 Q:\150045046\CAD\Civil\Turn Key\17671 (34) Signing and Striping-7.dgn

DESIGN	GC	
DRAWN	AMP	
CHECKED	CC	
APPROVED	CS	
SQUAD	DEWBERRY	

SIGNING AND STRIPING

STATE JOB NO. 17617(34) SHEET NO. 56

DEWEY CO. US-270